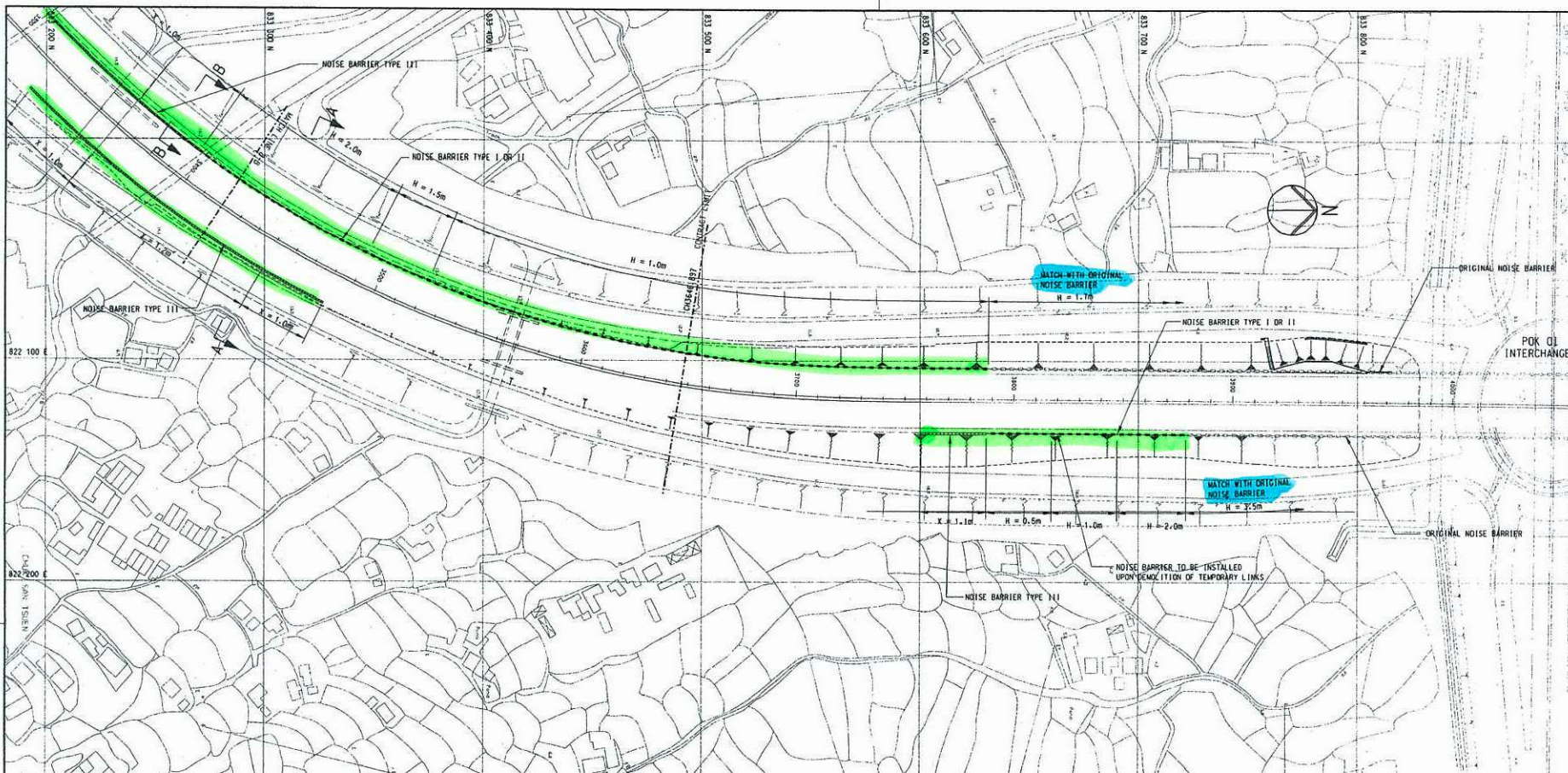


Annex C4

As-built Drawings of Existing Noise Barriers



Copyright by Black & Veatch Hong Kong Limited
 NOTES:
 1. FOR NOTES AND LEGEND, REFERRED TO
 NHY9901-GA0603Z.

barriers completed in 2003

WORK AS EXECUTED
 DATE OF COMPLETION
 18 JULY 2003

Revision	Date	Description		Initial
		Designed	Checked	
1				PS
Approve				JK/TS

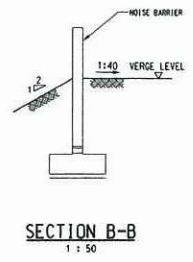
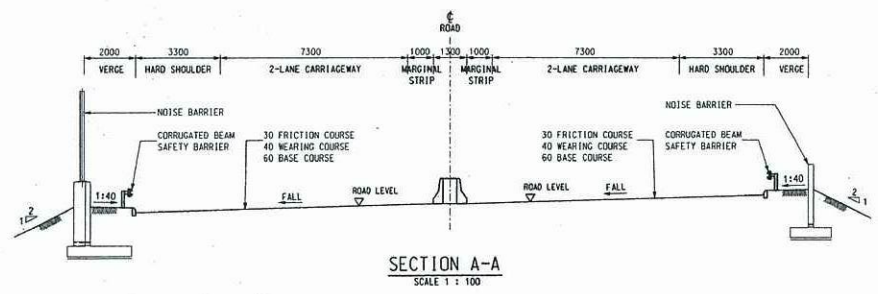
Contract No. H/99/01
 Project
 SHAP PAT HEUNG INTERCHANGE AND POK OI INTERCHANGE - REMAINING WORKS
 Drawing Title
 GENERAL LAYOUT OF NOISE BARRIER (SHEET 3 OF 3)

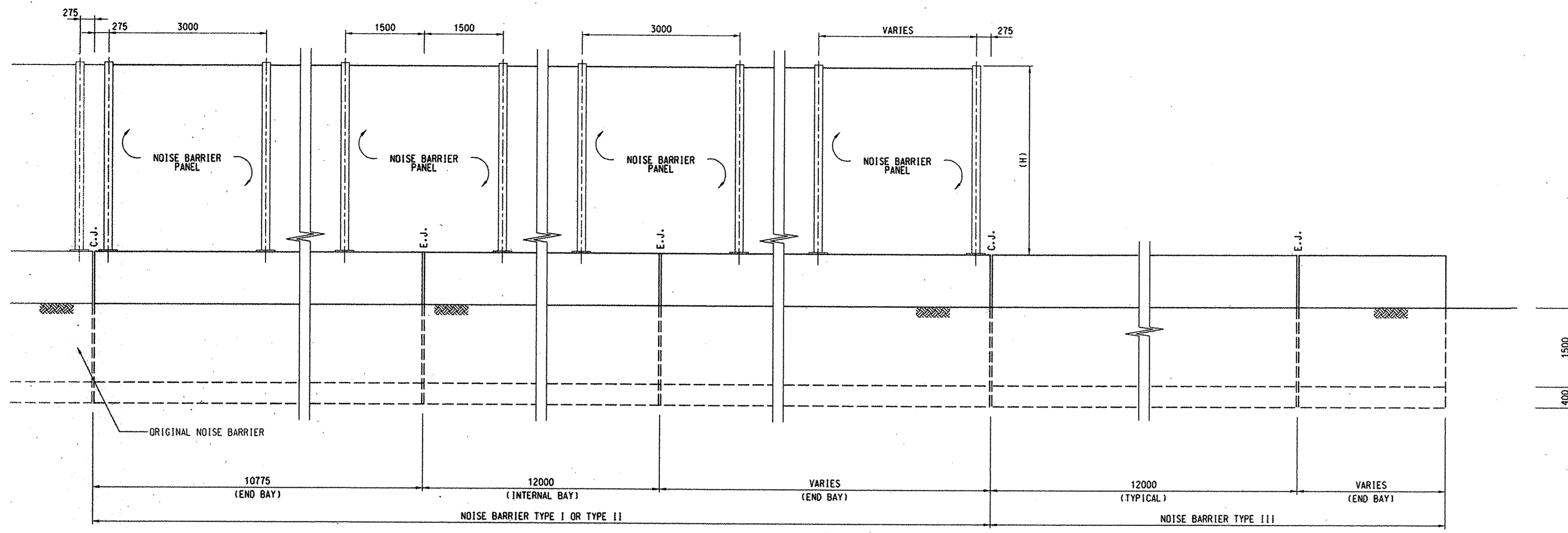
Drawing No. NHY9901-GA0603Z
 Scale 1 : 1000

BLACK & VEATCH HONG KONG LIMITED
 建築工程師有限公司

HIGHWAYS / H.T. REGION

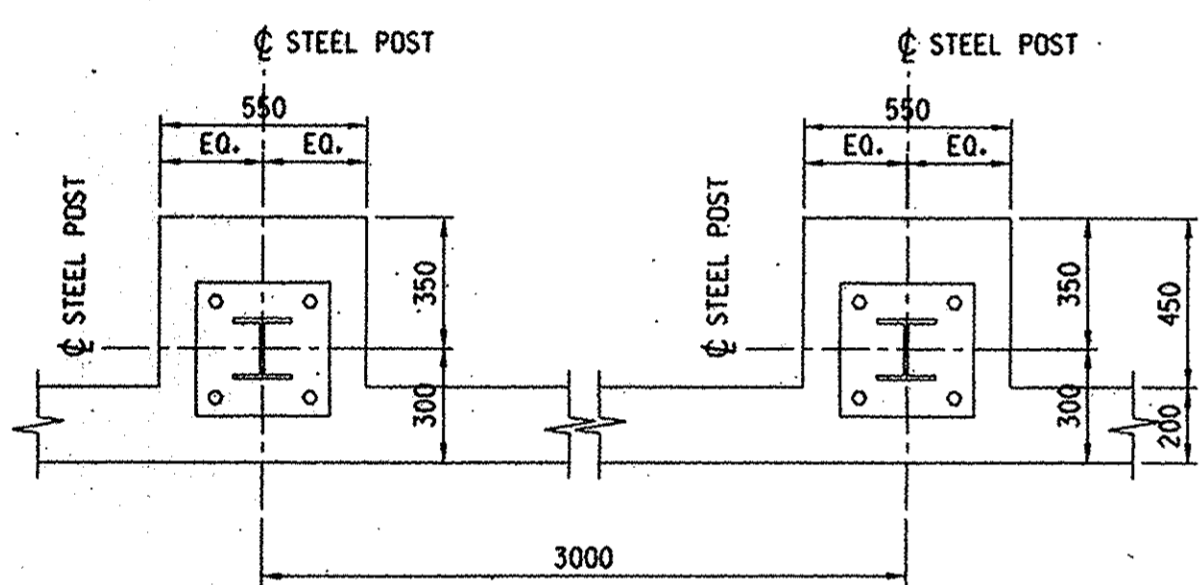
HIGHWAYS DEPARTMENT HONG KONG



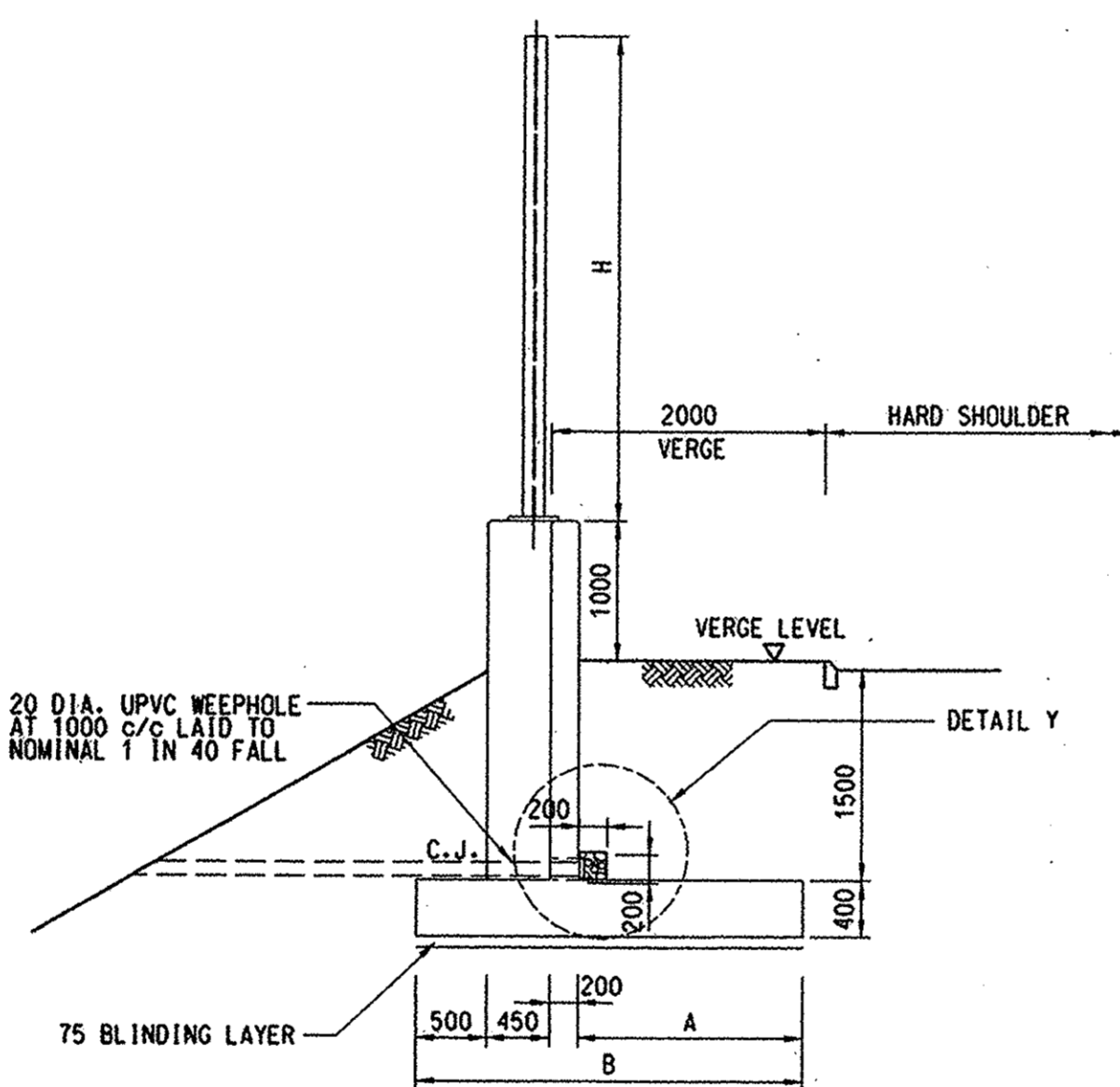


TYPICAL ELEVATION OF NOISE BARRIER IN VERGE
1 : 50

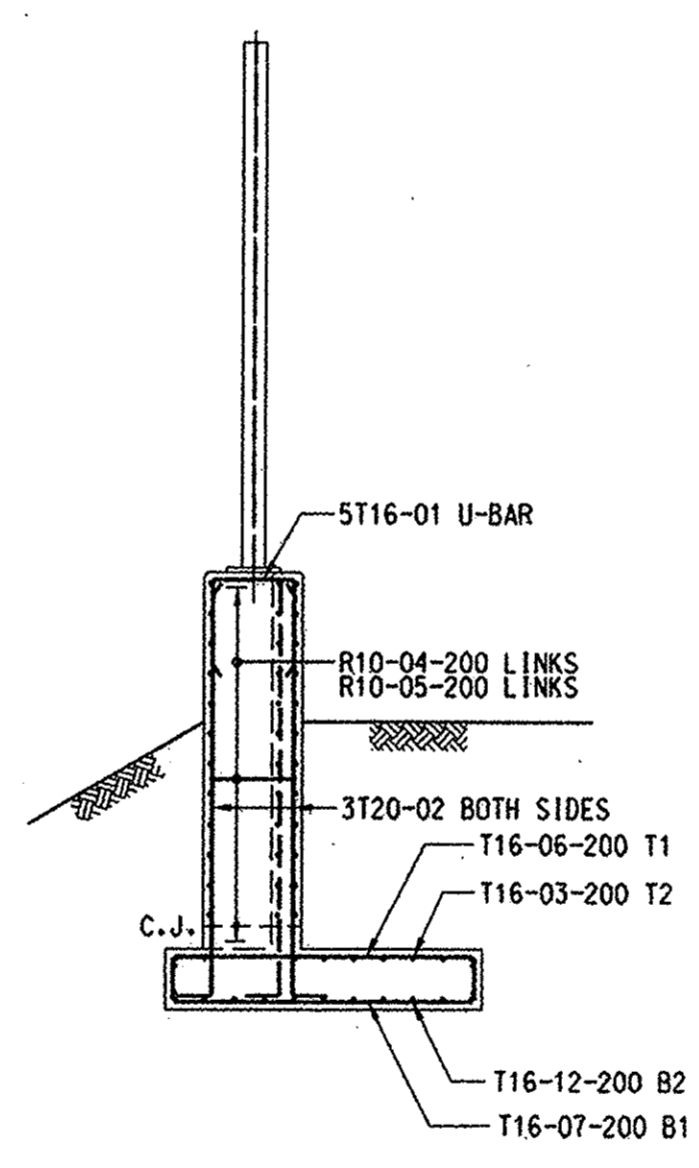
- NOTES:**
- DIMENSIONS WERE IN MILLIMETERS UNLESS OTHERWISE STATED.
 - LEVELS WERE IN METERS AND REFERRED TO PRINCIPAL DATUM (P.D.).
 - ALL EXPOSED EXTERNAL ARISES OF 90° OR LESS WERE TO HAVE A 20x20 CHAMFER UNLESS OTHERWISE STATED.
 - NON-WOVEN POLYPROPYLENE GEOTEXTILE FILTER WERE PROVIDED AND FIXED ON WALL BACK.
 - GRADE OF CONCRETE:
WALL & FOOTING 40/20
BLINDING 10/20
 - COVER TO REINFORCEMENT :
FOOTING 50mm
WALL 50mm
 - STEEL WERE GRADE 43A WELDABLE STRUCTURAL STEEL COMPLYING WITH BS 4360.
 - STEELWORK WERE HOT DIP GALVANISED TO BS 729 AFTER FABRICATION.
 - WELDING WERE IN ACCORDANCE WITH BS 5135 AND ELECTRODES WERE IN ACCORDANCE WITH BS 639.
 - STEEL REINFORCEMENT WERE COMPLIED WITH THE REQUIREMENTS OF CS2 AND WERE IN ACCORDANCE WITH BS 4466.
 - REINFORCEMENT BAR MARK SYSTEM WAS READ THUS:
57 T32 - 19 - 150 T (V)
LOCATION
SPACING OF BAR
BAR MARK
DIAMETER OF BAR
NOS. OF BAR
 - UNLESS OTHERWISE STATED, MINIMUM LAP LENGTH WAS 46 TIMES THE DIAMETER OF THE SMALLER BAR
 - CONCRETE FINISHES :
FORMED SURFACE
(i) EXPOSED SURFACE
(ii) UNEXPOSED SURFACE
UNFORMED SURFACE
(i) EXPOSED SURFACE
(ii) UNEXPOSED SURFACE
 - FOOTINGS WERE FOUNDED ON MATERIAL WITH MINIMUM ALLOWABLE BEARING CAPACITY OF 150KPa.
 - THIS DRAWING WAS READ IN CONJUNCTION WITH DRG. NOS. NHHY9901-GA0601Z TO GA0603Z.
 - STAINLESS STEEL WERE COMPLIED WITH BS1449.
 - ALL GALVANISED STRUCTURAL STEELWORKS WERE PAINTED IN ACCORDANCE WITH PAINTING SYSTEM F OF THE P.S. CLAUSE 18.62.
 - NOISE BARRIER AND FIXING COMPLIED A PROPRIETARY SYSTEM (MONT BANCI).



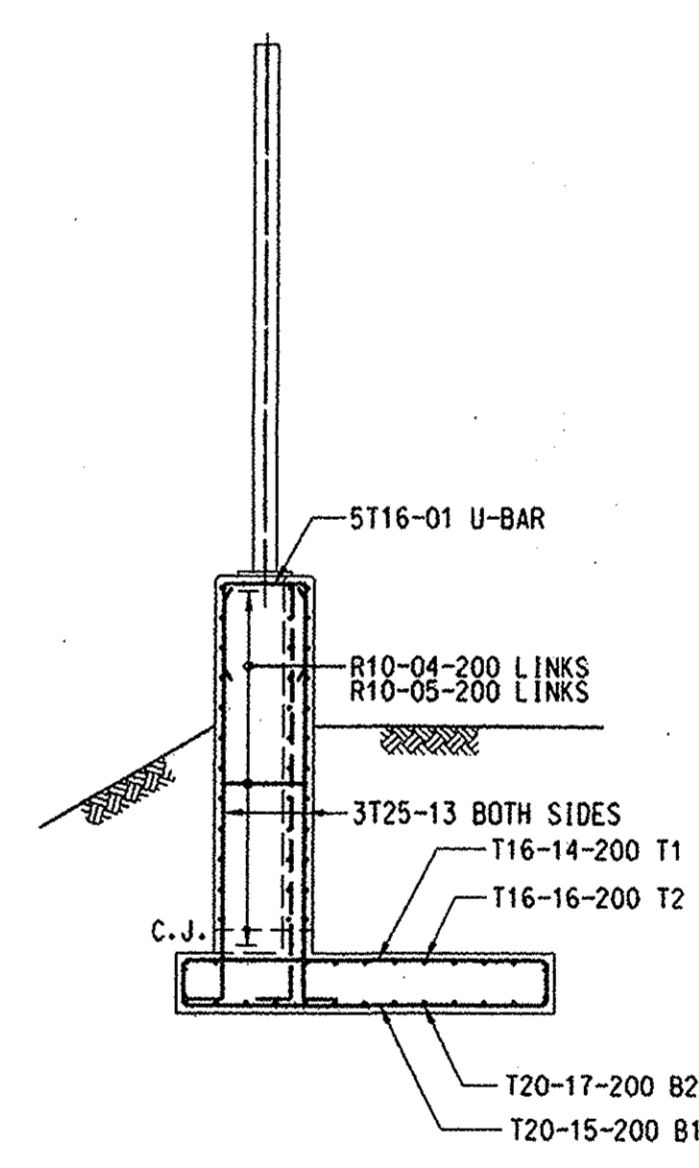
PLAN
1 : 20



TYPICAL SECTION FOR NOISE BARRIER TYPE I AND II
1 : 50



SECTION C-C
1 : 50



SECTION D-D
1 : 50

- LEGEND :**
- T DENOTED TOP
 - B DENOTED BOTTOM
 - NF DENOTED NEAR FACE
 - EF DENOTED EACH FACE
 - FF DENOTED FAR FACE
 - (V) DENOTED LENGTH VARIES
 - E.-J. DENOTED EXPANSION JOINT
 - C.-J. DENOTED CONSTRUCTION JOINT

WORK AS EXECUTED

DATE OF COMPLETION

18 JULY 2003

Revision	Date	Description	Initial

Contract No. HY/99/01

Project

HIGHWAY BETWEEN SHAP PAT HEUNG INTERCHANGE AND POK OI INTERCHANGE - REMAINING WORKS

Drawing Title

NOISE BARRIER DETAILS (SHEET 1 OF 5)

Drawing No. NHHY9901-GA0604Z

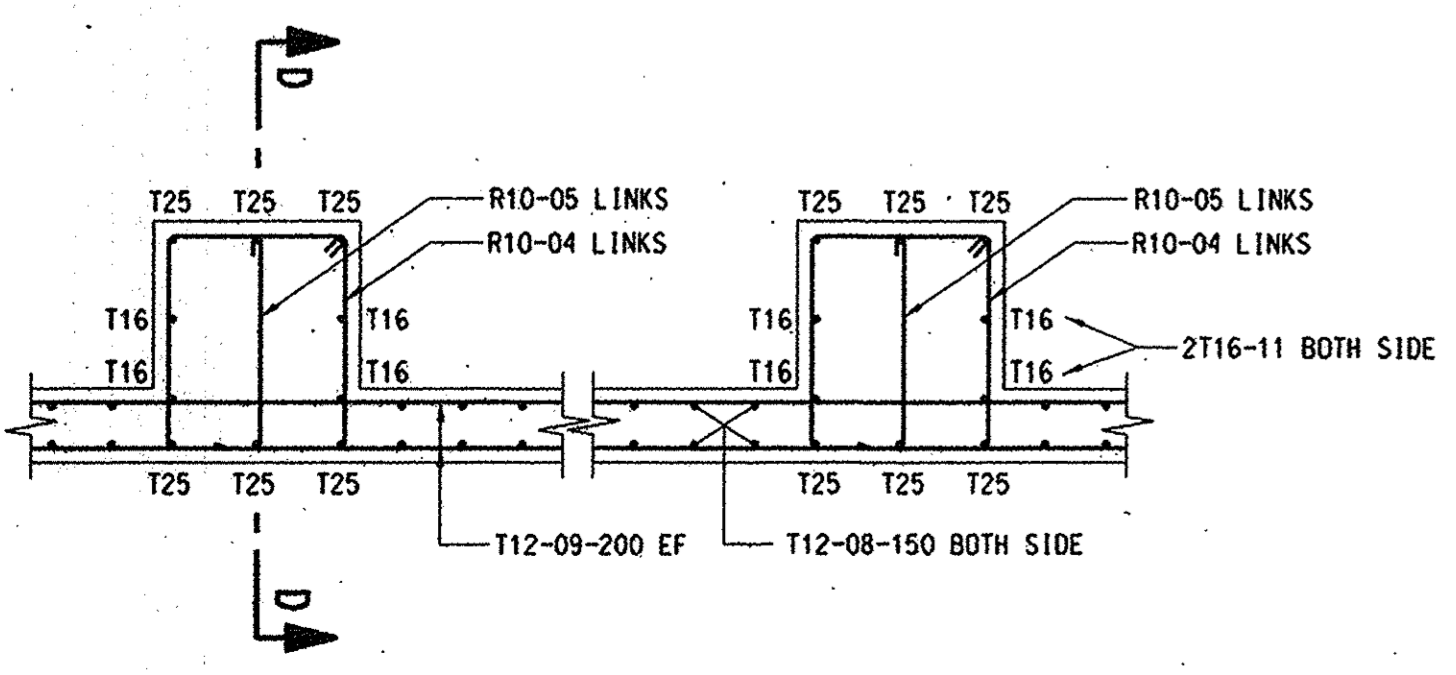
Scale AS SHOWN

BLACK & VEATCH HONG KONG LIMITED
博威工程顧問有限公司

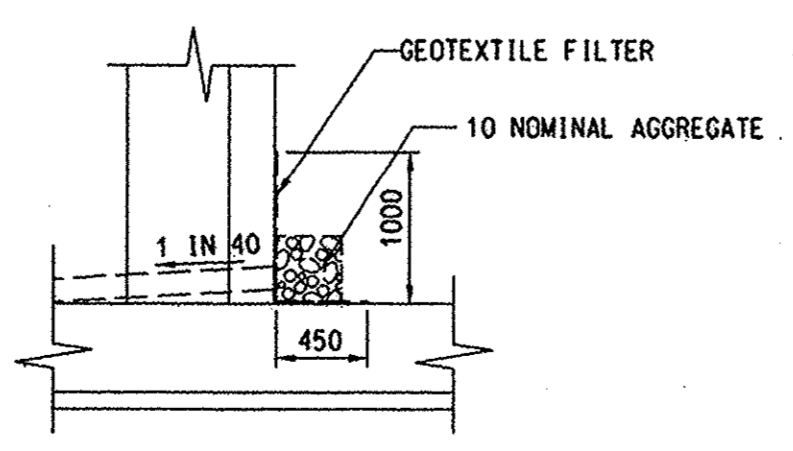
HIGHWAYS / N.T. REGION

HIGHWAYS DEPARTMENT HONG KONG

REINFORCEMENT DETAILS FOR NOISE BARRIER TYPE I
1 : 20

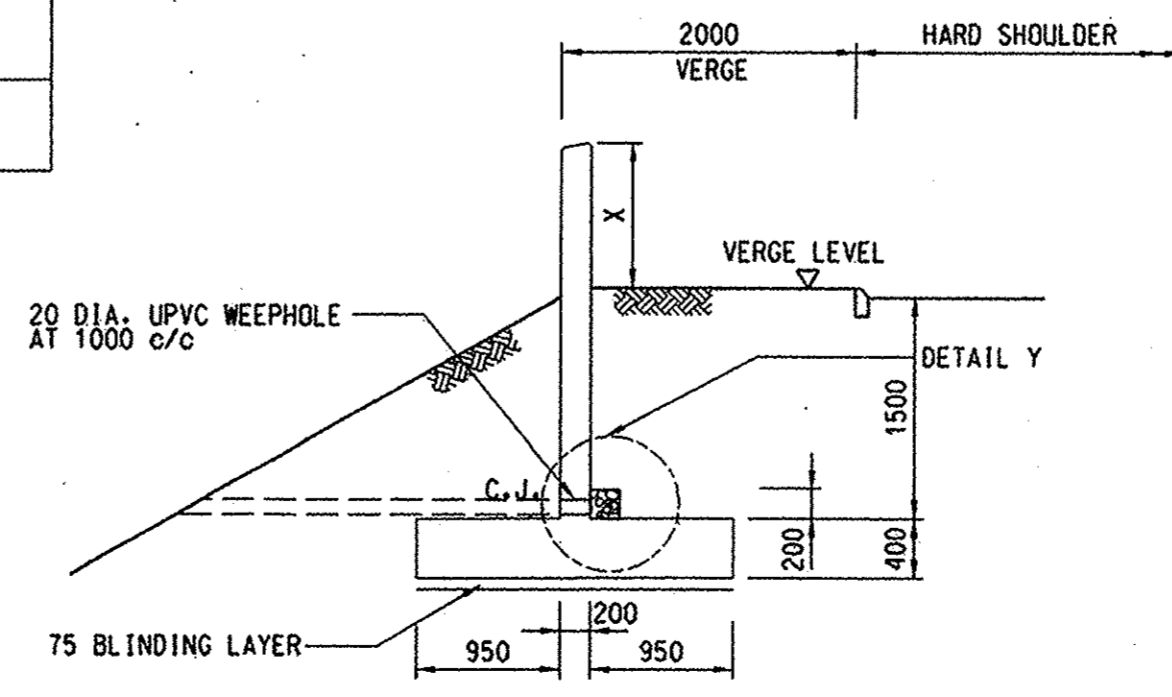


HEIGHT OF BARRIER (H) (m)	NOISE BARRIER TYPE	A	B
0 < H ≤ 1	I	1350	2500
1 < H ≤ 2.5	II	1850	3000

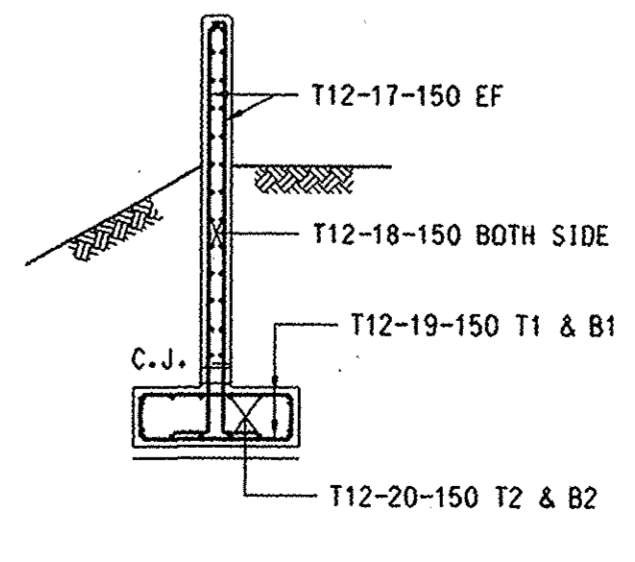


DETAIL Y
N.T.S.

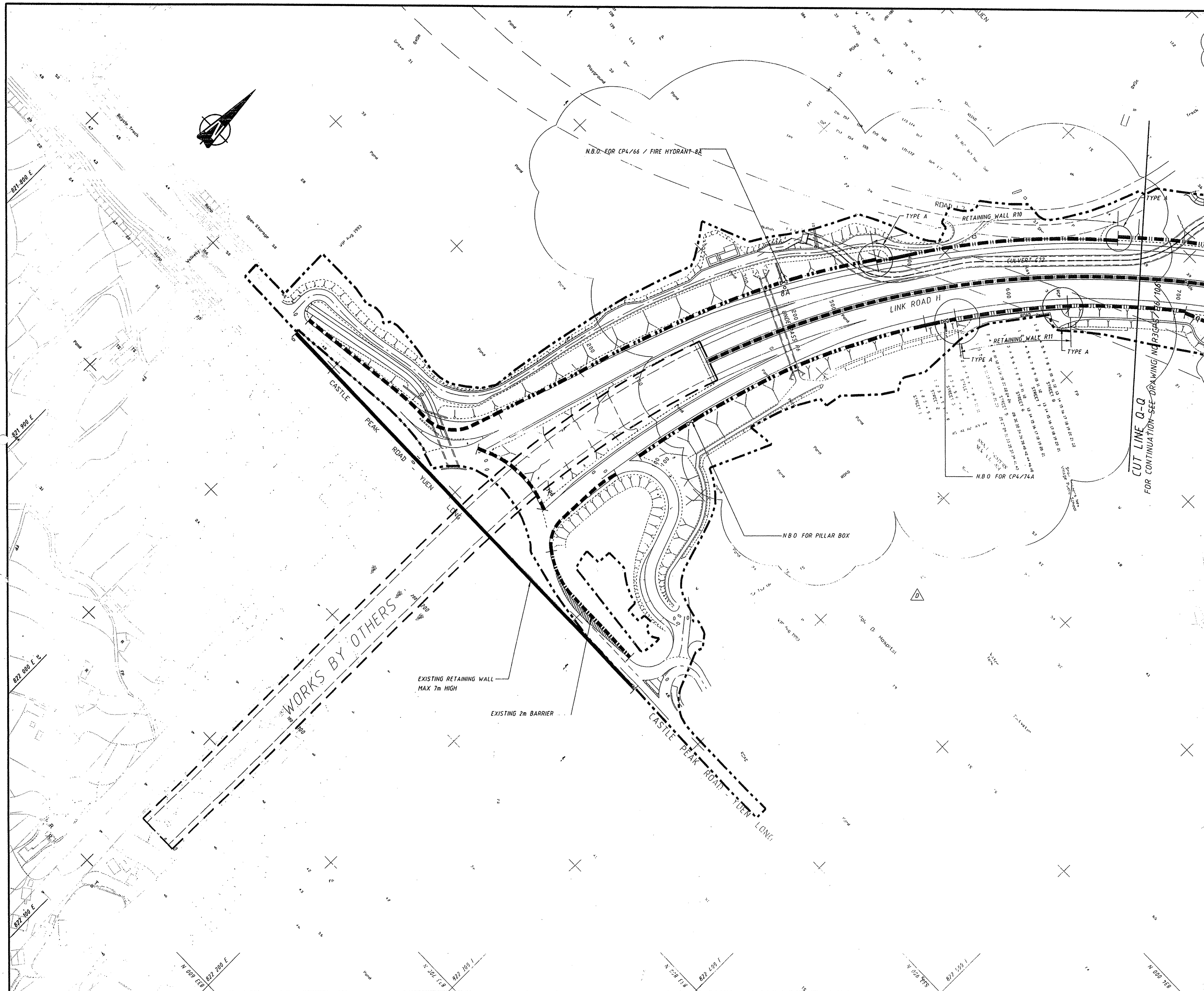
TYPICAL SECTION FOR NOISE BARRIER TYPE III
1 : 50



REINFORCEMENT DETAILS FOR NOISE BARRIER TYPE III
1 : 50



REINFORCEMENT DETAILS FOR NOISE BARRIER TYPE II
1 : 20



NOTE:-
 1. NOISE BARRIER CONNECTION DETAILS OF TYPE A, B & C REFER TO DRG. NO. R3CPS/116/125.
 2. NOISE BARRIER OPENING DETAILS SHOULD REFER TO DRAWING NO. R3CPS/116/117.

- LEGEND :-**
- 0.8m HEIGHT NOISE BARRIER (NOISE BARRIERS DUPLICATED ON RELEVANT ROADWORKS AND BRIDGE DRAWINGS)
 - 1.25m HEIGHT NOISE BARRIER (NOISE BARRIERS DUPLICATED ON RELEVANT BRIDGE DRAWINGS)
 - 2.0m HEIGHT NOISE BARRIER
 - 3.0m HEIGHT NOISE BARRIER
 - 4.0m HEIGHT NOISE BARRIER
 - 2.0m HEIGHT EARTH BUND
 - 2.0m HEIGHT NOISE BARRIER ON TOP OF 2.0m HEIGHT EARTH BUND
 - N.B.O. - NOISE BARRIER OPENING

**ROUTE 3
 COUNTRY PARK SECTION**
 AS BUILT DRAWING
 ENDORSED AS A TRUE RECORD OF CONSTRUCTION

Signed by: *[Signature]* (for R3CC on behalf of the Franchisee)
 Signed by: *[Signature]* (for the Works Checker)

D	NOTE 1 ADDED. LOCATION OF NOISE BARRIER OPENING ADDED. LEGEND "N.B.O." ADDED. NOISE BARRIER CONNECTION DETAIL TYPE A ADDED.	4.8.97	LCYC
C	BARRIERS AND LEGEND REVISED.	14.10.96	JYKF
B	ALIGNMENT REVISED. LEGEND ADDED.	1.5.96	JYKF
A	HEIGHT OF EXISTING BARRIER AMENDED.	7.3.96	JYKF
REV 修訂	DESCRIPTION 內容摘要	DATE 日期	CHECKED 核核

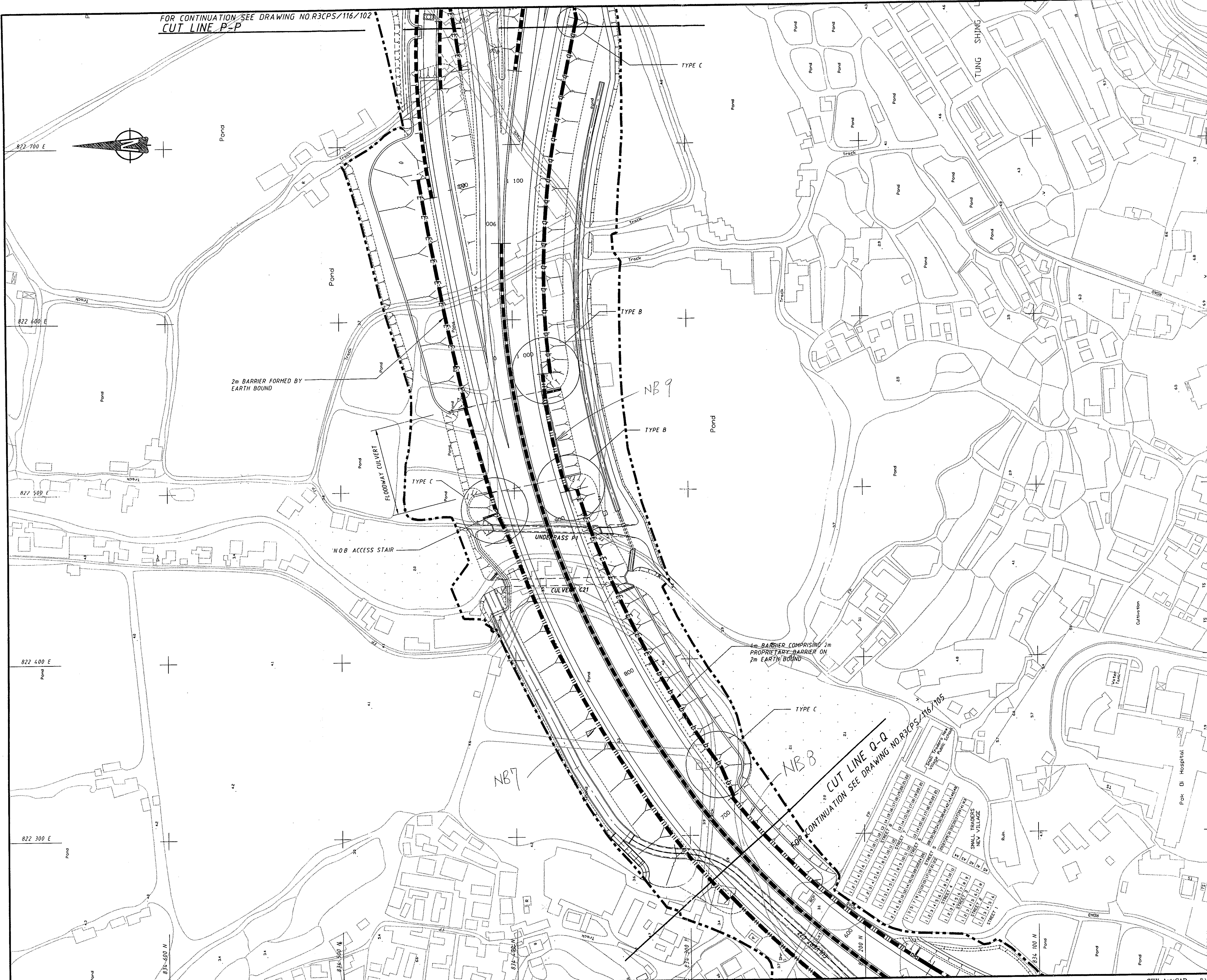
FRANCHISEE
ROUTE 3 (CPS) CO. LTD.

CONTRACTOR
ROUTE 3 CONTRACTORS CONSORTIUM
 NISHIMATSU - DRAGAGES

ROUTE 3 COUNTRY PARK SECTION
 YUEN LONG APPROACH
 NOISE BARRIERS
 PLAN
 SHEET 5 OF 8

DESIGNED PH	CONSULTANTS MAUNSELL SCOTT WILSON JV.
CHECKED PH	DRG.NO. 圖紙編號 R3CPS/116/105
DRAWN CAD	DATE OF ISSUE 發日期 6.11.98
CHECKED PH	DESIGNER/SUB-DESIGNER 設計者 日期 SWK
APPROVED FOR ISSUE R3A GET	DATE OF ISSUE 發日期 6.11.98
DATE 日期 18.1.96	STATUS AS BUILT DRAWING
SCALE 比例 1:1000	COPYRIGHT RESERVED 版權所有
DIMENSIONS ARE IN METRES	

FOR CONTINUATION SEE DRAWING NO. R3CPS/116/102
CUT LINE P-P



- NOTE :**
- NOISE BARRIER CONNECTION DETAILS OF TYPE A, B & C REFER TO DRG. NO. R3CPS/116/125
 - NOISE BARRIER OPENING DETAILS SHOULD REFER TO DRAWING NO. R3CPS/116/117

- LEGEND :-**
- 0.8m HEIGHT NOISE BARRIER (NOISE BARRIERS DUPLICATED ON RELEVANT ROADWORKS AND BRIDGE DRAWINGS)
 - 1.25m HEIGHT NOISE BARRIER (NOISE BARRIERS DUPLICATED ON RELEVANT BRIDGE DRAWINGS)
 - 2.0m HEIGHT NOISE BARRIER
 - 3.0m HEIGHT NOISE BARRIER
 - 4.0m HEIGHT NOISE BARRIER
 - 2.0m HEIGHT EARTH BUND
 - 2.0m HEIGHT NOISE BARRIER ON TOP OF 2.0m HEIGHT EARTH BUND
 - NBO - NOISE BARRIER OPENING

**ROUTE 3
COUNTRY PARK SECTION**
AS BUILT DRAWING
ENDORSED AS A TRUE RECORD OF CONSTRUCTION

Signed by: *[Signature]*
(for R3CC on behalf of the Franchisee)

Signed by: *[Signature]*
(for the Works Checker)

D	AS BUILT INFORMATION ADDED	29.9.99	LCYC
C	NOTE 1 AND 2 ADDED LOCATION OF NOISE BARRIER OPENING ADDED LEGEND "NBO" ADDED NOISE BARRIER CONNECTION DETAILS TYPE A, B & C ADDED	4.8.97	LCYC
B	BARRIERS AND LEGEND REVISED	14.10.96	JYKF
A	ALIGNMENT REVISED LEGEND ADDED	1.5.96	JYKF
REV	DESCRIPTION	DATE	CHECKED
REV	內容	日期	查核

FRANCHISEE **ROUTE 3 (CPS) CO. LTD.**

CONTRACTOR **ROUTE 3 CONTRACTORS CONSORTIUM NISHIMATSU - DRAGAGE**

ROUTE 3 COUNTRY PARK SECTION
YUEN LONG APPROACH
NOISE BARRIERS

PLAN SHEET 6 OF 8

DESIGNED	PH	CONSULTANTS	MAUNSELL SCOTT WILSON JV.
CHECKED	PH	DRG. NO.	R3CPS/116/106
DRAWN	CAD	DATE OF ISSUE	29.9.99
CHECKED	PH	STATUS	AS BUILT DRAWING
APPROVED FOR ISSUE	GET	DESIGNER/SUB-DESIGNER	SWK
DATE	18.1.96	SCALE	1:1000
SCALE	1:1000	DIMENSIONS ARE IN	MILLIMETRES

© COPYRIGHT RESERVED