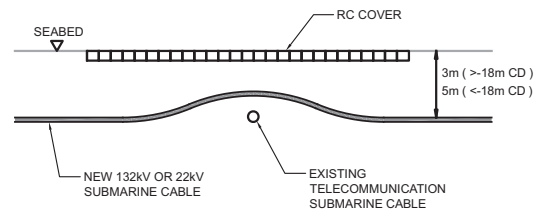
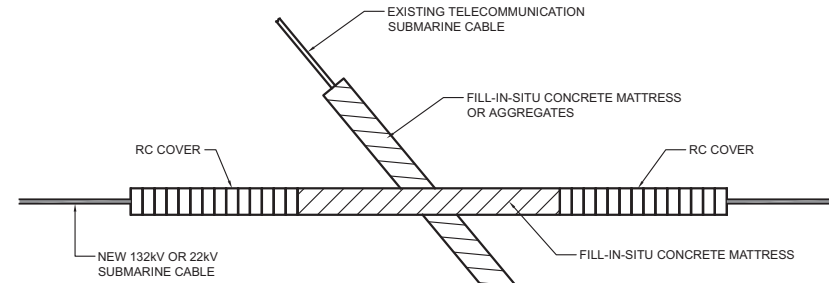


**PLAN**

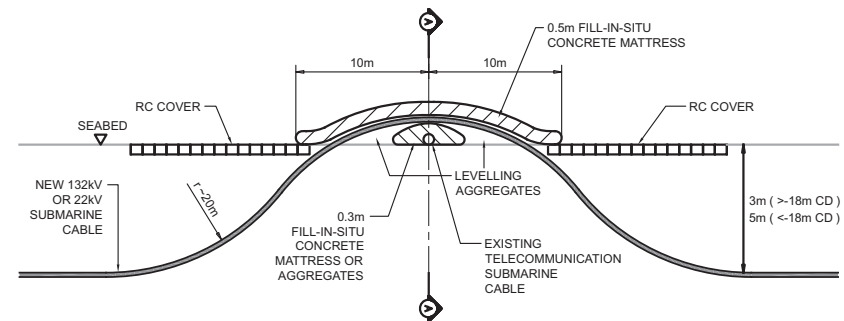


**SECTION VIEW**

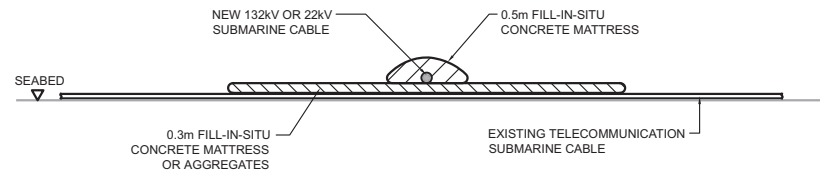
**CASE 1 :**  
**EXISTING TELECOMMUNICATION SUBMARINE CABLE**  
**BURIED BELOW SEABED**



**PLAN**



**SECTION VIEW**



**SECTION A-A**

**CASE 2 :**  
**EXISTING TELECOMMUNICATION SUBMARINE CABLE LAID ON SEABED SURFACE**

Figure 5.10

Typical 132kV or 22kV Submarine Cable Crossing Existing Telecommunication Submarine Cable