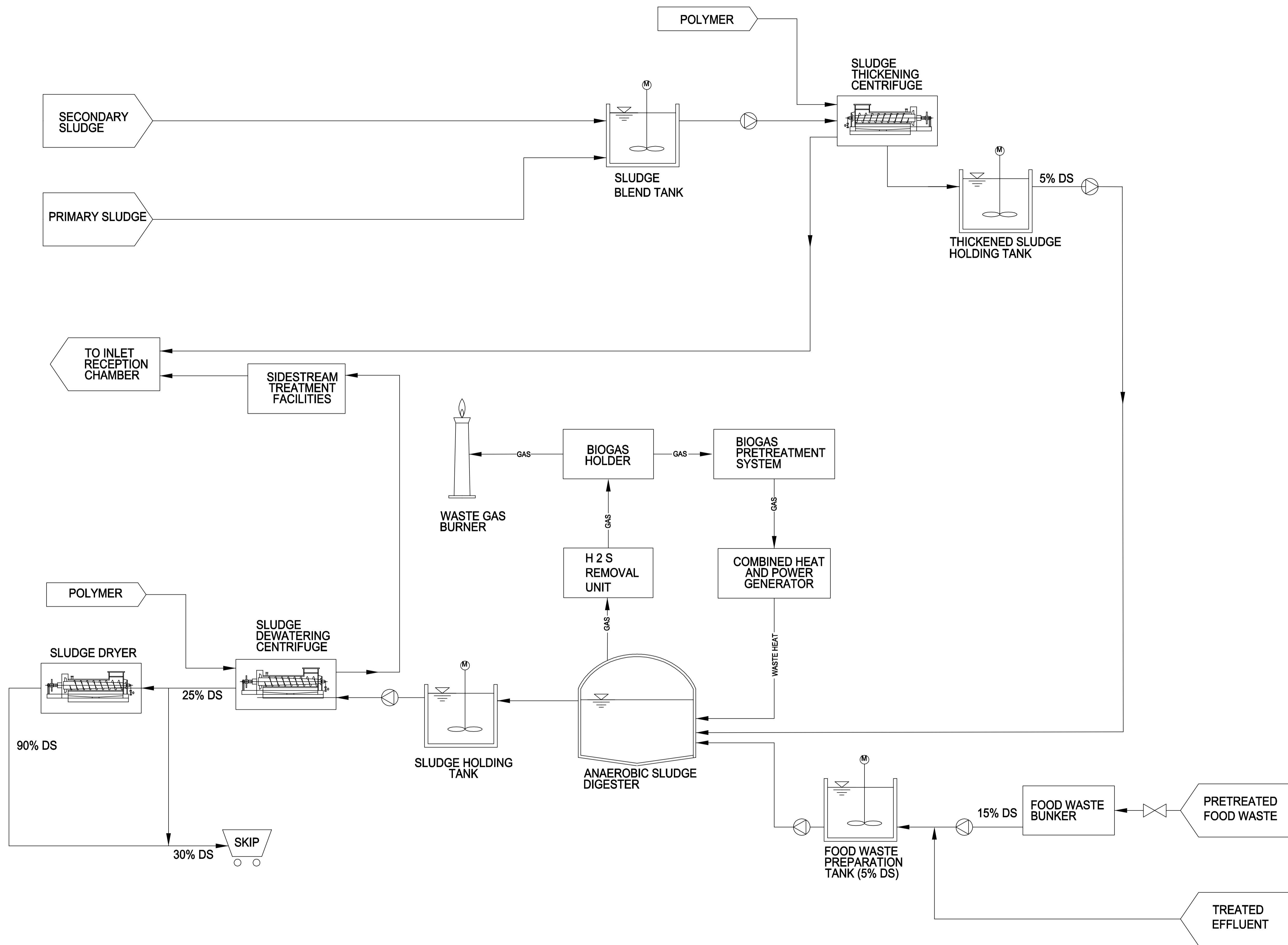


Plot File by: NgCHT 18/03/2021  
 PATH: P:\60631936\06\_Sewage And Sludge Treatment\18\_Process Flow Diagram\YLSEPP PFD.dwg  
 Project Management Initials: Designer: Checked: Approved: ISO A1 594mm x 841mm



**PROJECT**  
 項目  
 HUNG SHUI KIU EFFLUENT POLISHING PLANT AND YUEN LONG SOUTH EFFLUENT POLISHING PLANT - INVESTIGATION

**CLIENT**  
 業主  
 渠務署  
 Drainage Services Department

**CONSULTANT**  
 工程顧問公司  
 AECOM Asia Company Ltd.  
 www.aecom.com

**SUB-CONSULTANTS**  
 分判工程顧問公司

**ISSUE/REVISION**  
 修訂

I/R	DATE	DESCRIPTION	CHK.
修訂	日期	內容摘要	核核

**STATUS**  
 階段

**SCALE**  
 比例  
 N.T.S.

**DIMENSION UNIT**  
 尺寸單位  
 METERS

**KEY PLAN**  
 索引圖

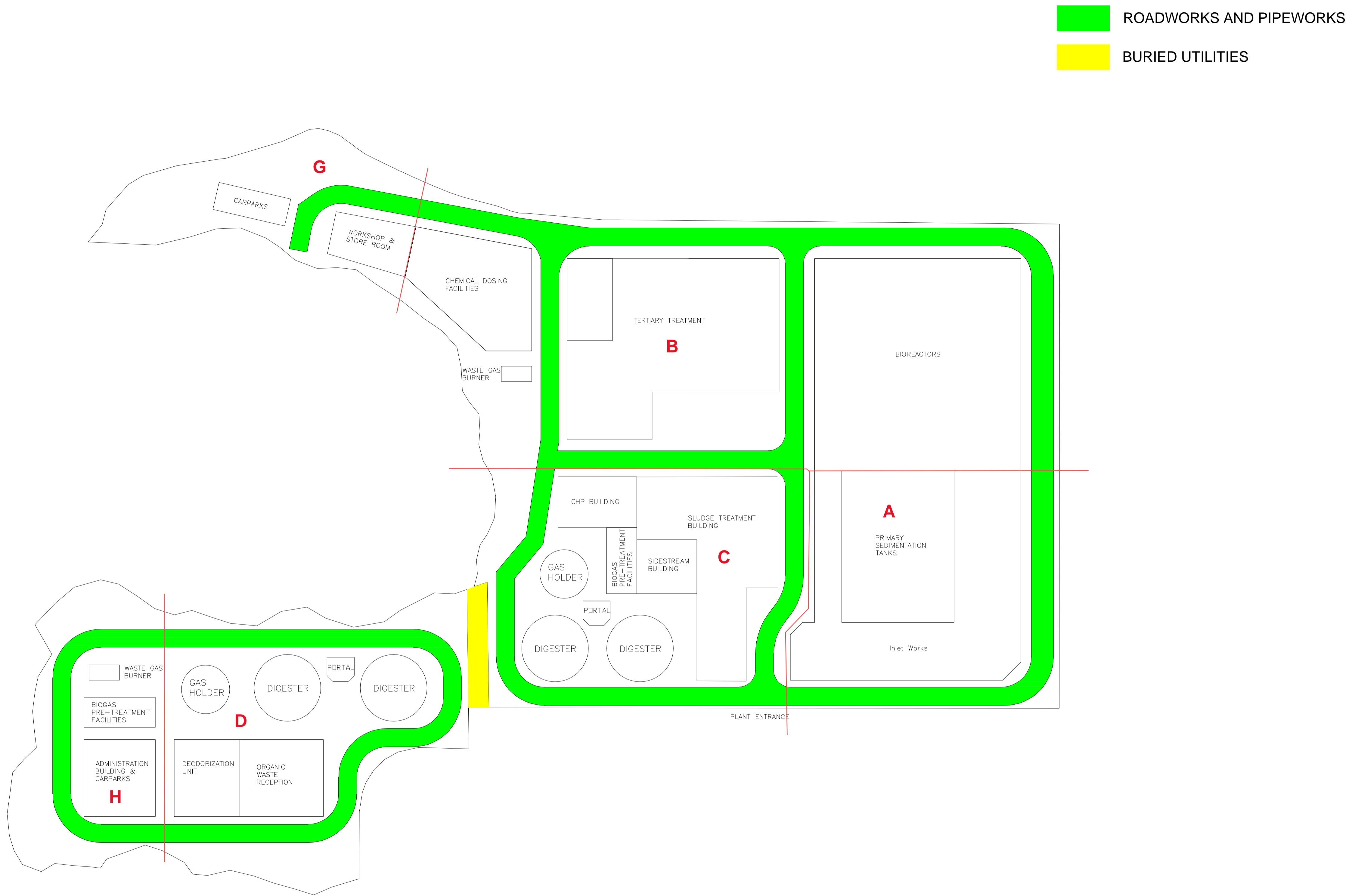
**PROJECT NO.**  
 項目編號  
 60631936

**CONTRACT NO.**  
 合約編號  
 CE/2019/06

**SHEET TITLE**  
 圖紙名稱  
 PROCESS FLOW DIAGRAM OF SLUDGE TREATMENT FOR YLSEPP

**SHEET NUMBER**  
 圖紙編號  
 60631936/IPDR/015

This drawing has been prepared for the use of AECOM's client. It may not be used, modified, reproduced or relied upon by third parties, except as agreed by AECOM or as required by law. AECOM accepts no responsibility, and denies any liability whatsoever, to any party that uses or relies on this drawing without AECOM's express written consent. Do not scale this document. All measurements must be obtained from the stated dimensions.



### ISSUE/REVISION

I/R	DATE	DESCRIPTION	CHK.
修訂	日期	內容摘要	核核

### STATUS

階段

### SCALE

比例 A1 1:750

### DIMENSION UNIT

尺寸單位 METRES

### KEY PLAN

索引圖

### PROJECT NO.

項目編號 60631936

### CONTRACT NO.

合約編號 CE/2019/06

### SHEET TITLE

圖紙名稱 YLSEPP DETAIL LAYOUT

### SHEET NUMBER

圖紙編號 XXXX

This drawing has been prepared for the use of AECOM's client. It may not be used, modified, reproduced or relied upon by third parties, except as agreed by AECOM or as required by law. AECOM accepts no responsibility, and denies any liability whatsoever, to any party that uses or relies on this drawing without AECOM's express written consent. All measurements must be obtained from the stated dimensions.