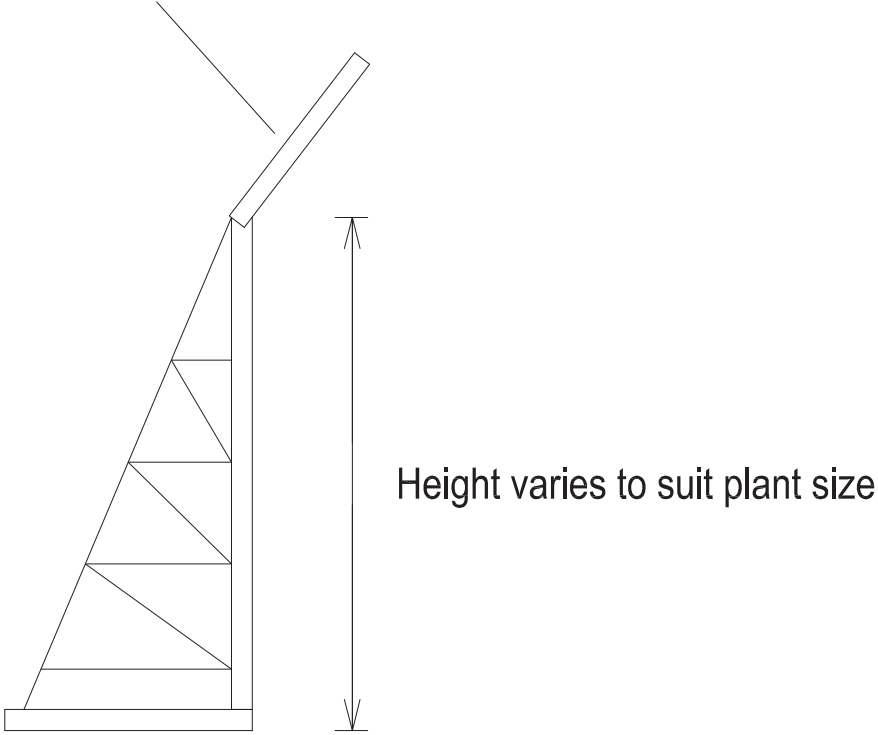


Acoustic Shelter Enclosure System
(Demountable Type)

Note: Adequate ventilation will be provided as appropriate with necessary noise mitigation to achieve 15 dB(A) noise reduction. The noise enclosure shall be constructed in accordance with relevant safety and legislative requirements in Hong Kong for normal operation. Discharges from any diesel engine within the enclosure should be ducted to the discharge outlets. The ducting is vital for the discharge of combustion exhaust, as it could avoid development of stagnant toxic gas within the enclosure, besides for ensuring proper air circulations.

Section of Typical Temporary Noise Enclosure

Minimum surface density of 14kg/m²



Typical Section of Temporary Movable Noise Barrier

Section of Typical Temporary Noise Barrier