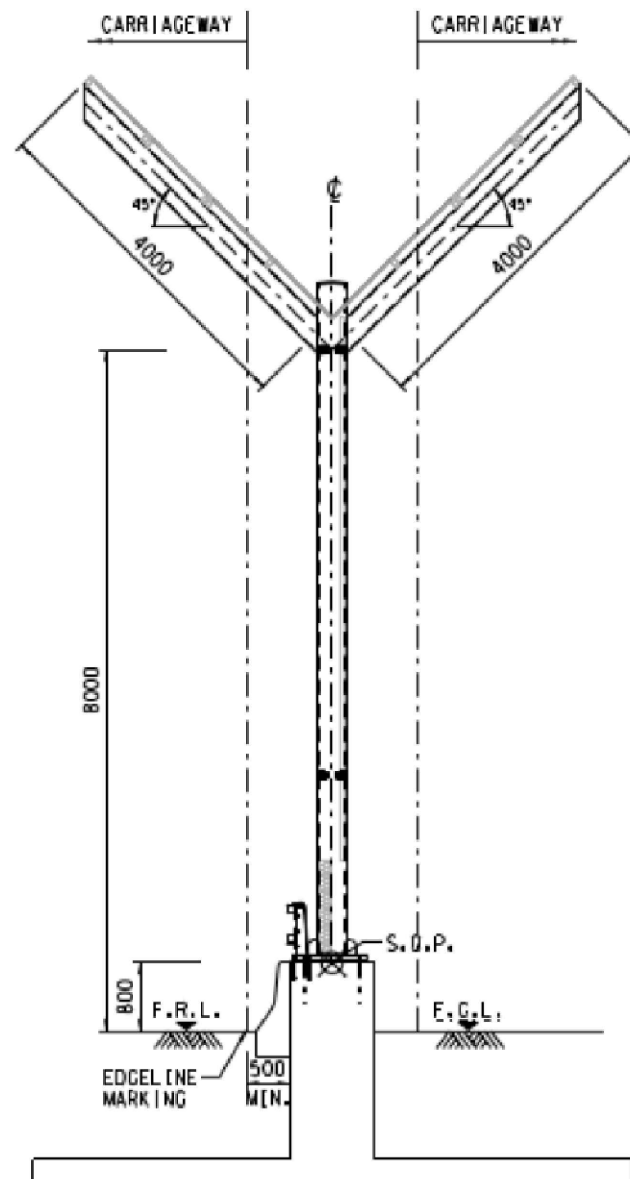
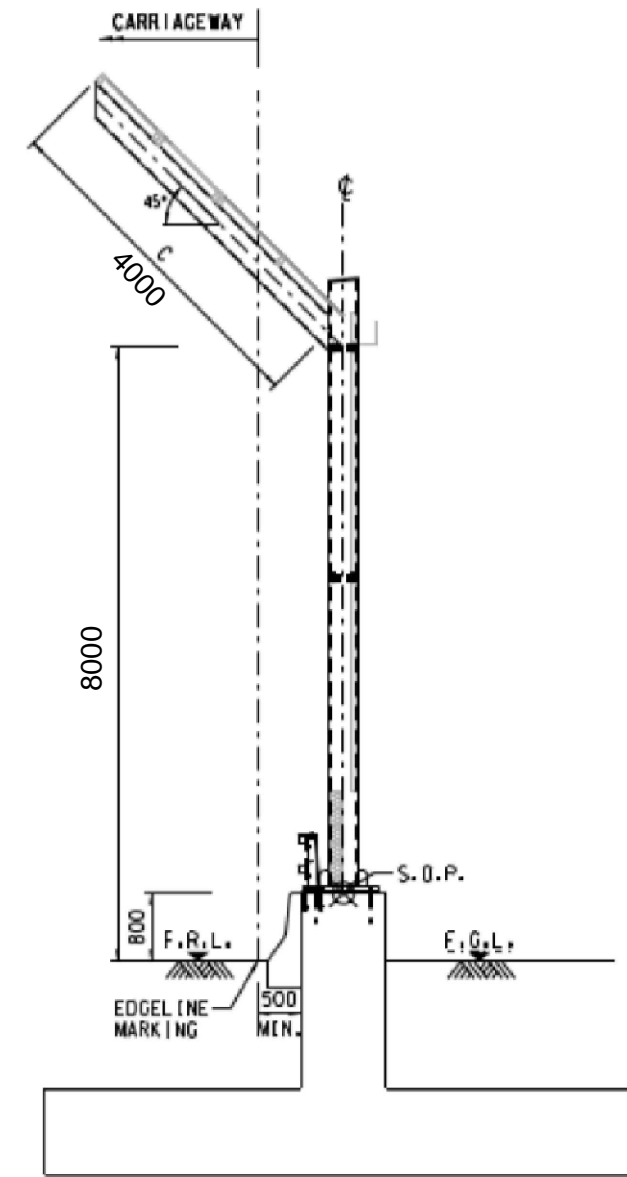


Typical Section for N1



Typical Section for N2



Typical Section for N3 & N4

NO.	DATE	DESCRIPTION	CHK.

This drawing has been prepared for the use of AECOM's client. It may not be used, modified, reproduced or relied upon by third parties, except as signed by AECOM or as required by law. AECOM accepts no responsibility, and denies any liability whatsoever, to any party that uses or relies on this drawing without AECOM's express written consent. Do not scale this document. All measures must be obtained from the stated dimensions.